

# CHARGING AND DISCHARGING STATIONS

## FRESH WATER STATION FOR LARGE-SCALE INSTALLATIONS



**Fresh water station for large-scale systems FWSG150 with circulation pump, pre-mixing valve, return flow changeover and control unit**

**Fresh water station for large-scale systems FWSG225 with circulation pump, pre-mixing valve, return flow changeover and control unit**

Fresh water stations specially tailored to large-scale installations for hygienic water heating. Complete electrical and hydraulic plug-in unit comprising: Pre-mixing valve to prevent thermally induced calcification, integrated return flow changeover for optimum electrically controlled backup input, e.g. in circulation mode, installed as standard a high-efficiency circulation pump with ECM technology to reduce operating costs to a minimum, speed-regulated backup charger pump for constant hot water temperatures, insulated, generously-sized plate heat exchanger, controller with many setting options (tap temperature, circulation times, return flow changeover temperature), flow rate measurement device for fastest response times without over-/undershooting, all panelling made of galvanised steel plating (insulated), and all necessary temperature sensors, check valves and isolation valves.

### Specifications for fresh water stations for large-scale installations FWSG150 / FWSG225

Drawing Pos. no.	Item no./type		1510495 / FWSG150	1510496 / FWSG225
1	Plate heat exchanger	Plate material Solder material Power Insulation Insulation thickness	Stainless steel Copper 315 kW Armaflex 20 mm	Stainless steel Copper 475 kW Armaflex 20 mm
2	Backup charger pump	Type Rated voltage Power consumption Max. current draw Rated speed	Wilo Stratos 50 / 1-8 230 V/50 Hz 0.31 kW 1.37 A 4800 rpm	Wilo Stratos 50 / 1-12 230 V/50 Hz 0.59 kW 2.6 A 4600 rpm
3	Circulation pump	Type Rated voltage Power consumption Max. current draw Rated speed	Wilo Stratos Z30 / 1-8 230 V/50 Hz 0.13 kW 1.2 A 3700 rpm	
4	Pre-mixing valve	Temperature adjustment range Material	25-55°C Red brass	
5	Return changeover valve	Type Dimension	Esbe Kvs18 6/4"	
A B C D/E	Cold water connection Warm water connection Heating forward flow connection Heating return flow connection	Dimension	6/4" female thread with ball valve	
F	Circulation line connection	Dimension	5/4" female thread with ball valve	
6	Control unit	Type Inputs Outputs Operating modes Circulation Data logging	Steca (tailored to the station) 6 inputs 3 outputs Manual, Automatic, Off Time-, temperature- or pulse-controlled With SD card	
7	Housing	Dimensions (L x W x H) Material	1170x420x750 Aluminium frame with panels made of galvanised sheet steel	
8	Pipes on drinking water side	Dimension Material Insulation Insulation thickness	6/4" Stainless steel Armaflex 20 mm	

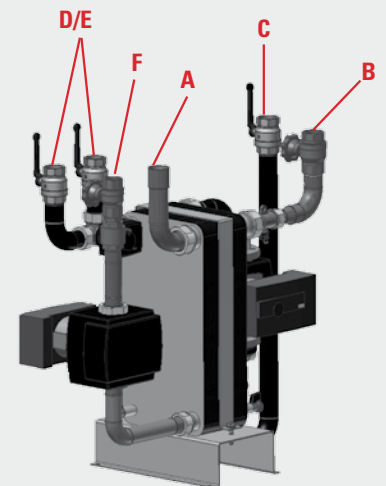
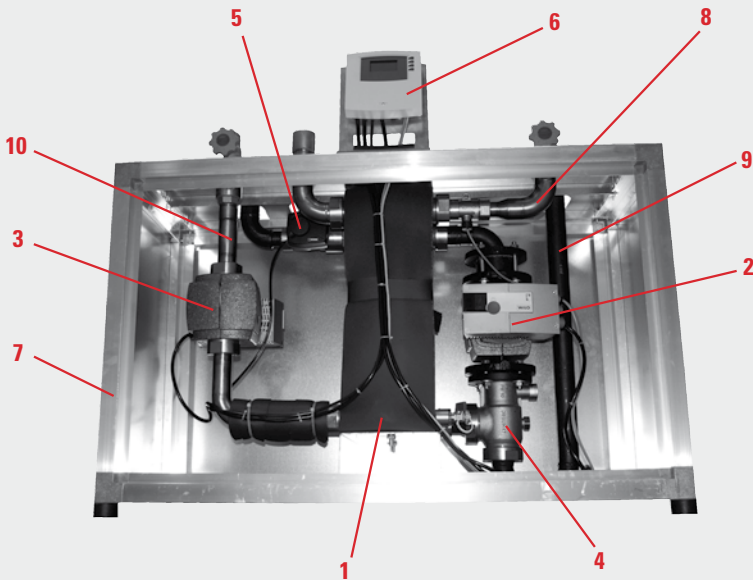
# CHARGING AND DISCHARGING STATIONS



## FRESH WATER STATION FOR LARGE-SCALE INSTALLATIONS

9	<b>Pipes on heater side</b>	Dimension Material Insulation Insulation thickness	6/4" Varnished steel Armaflex 20 mm
10	<b>Circulation line pipes</b>	Dimension Material Insulation Insulation thickness	5/4" Stainless steel Armaflex 20 mm
<b>General information</b>		Min. permitted operating temperature Max. permitted operating temperature Max. permitted operating pressure Drinking water side Max. permitted operating pressure Backup tank side Permitted backup temperature Return backup tank Weight Tap output, 40°C Tap output, 55 °C	2°C 95°C 10 bar 3 bar 60-100°C 2-zone return stratification 122 kg 150 l/min 100 l/min

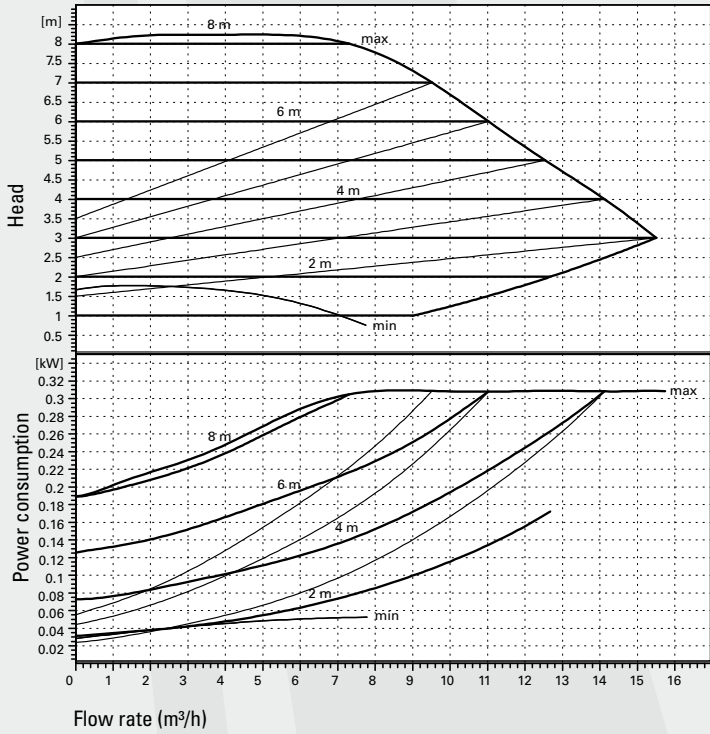
137 kg  
225 l/min  
150 l/min



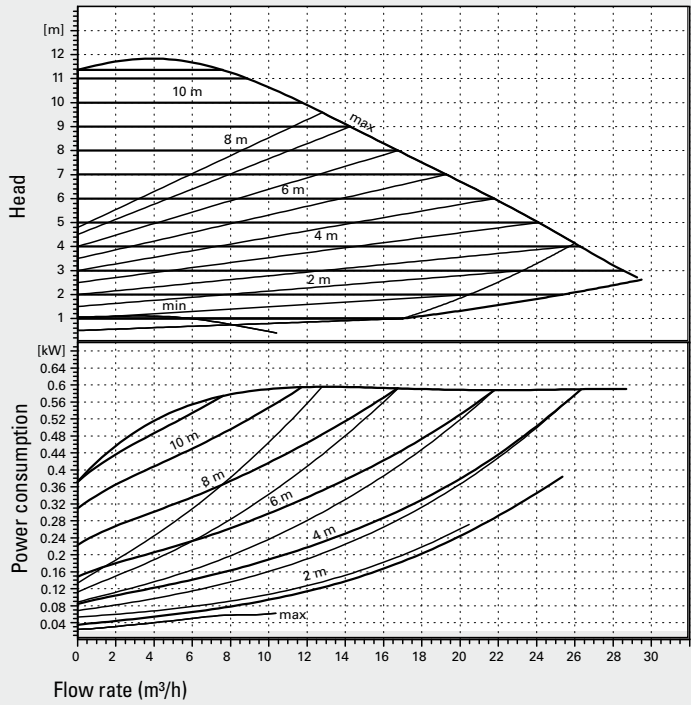
# CHARGING AND DISCHARGING STATIONS

## FRESH WATER STATION FOR LARGE-SCALE INSTALLATIONS/PUMP CHARACTERISTIC CURVES

**Wilo Stratos 50 / 1-8 (FWSG 150)**



**Wilo Stratos 50 / 1-12 (FWSG 225)**



**Wilo Stratos Z30 / 1-8**

