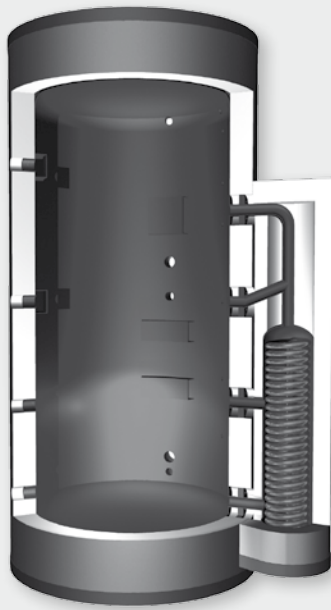


## PRODUCT DESCRIPTION



**PH – Pro-Heat stratified tank with spherical exchanger connection**  
 High-quality stratified tank made of steel (S 235 JR) for hot-water operation with a solar system. Stratified solar charging is via an external spherical exchanger. All necessary connections are at hand; includes 2x 2" sleeves for electric screw-in heating elements. The tank stands on a stand ring. The spherical exchanger and the polyester fibre fleece insulation must be ordered separately (compare Accessories).

**Note:** A fresh water module is required for optional preparation of hot water.

### Area of use

For heating systems with a solar system for single-family and semi-detached houses or projects.

### Product benefits

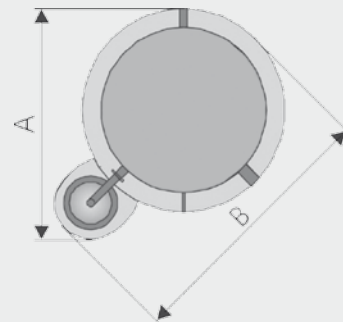
- Efficient use of solar energy using a natural principle for heating systems
- Simple functional concept without complicated technology or supplementary electrical energy (gravity circulation principle)
- Backup heating from all common systems possible
- Inflow absorbers prevent the layers in the tank from mixing – especially during heat pump operation
- Hygienic water heating due to a special corrugated stainless steel pipe<sup>1</sup> (DN 40, 1.4404)
- 5 temperature measuring points (sensor pockets) for each of three temperature sensors on the tank
- Access flange DN 200 from 1500 litres
- Prepared for use with 2 electric screw-in heating elements (photovoltaic feed-in)

### Standards, guidelines and regulations

- "Pressure Equipment Directive" 97/23/EC
- Sized according to guideline AD-2000
- Welding as per EN 287-1 and EN ISO 3834-2

## SPECIFICATIONS

Max. operating temperature	110°C
Max. tank operating pressure:	3 bar
Boiler/heating connections	Rp 6/4" (partially with inflow absorber)
Cylinder feed and drain cock connections	Rp 1/2"
Thermometer connection	Rp 1/2"



### Specifications

Type	PH 500	PH 800	PH 1000-B	PH 1000-S	PH 1250	PH 1500	PH 2000	PH 2500	PH 3000	PH 4000	PH 5000
Item no.	1610939	1610940	1610941	1610942	1610943	1610944	1610945	1610946	1610947	1610948	1610949
Nominal volume [l]	514	744	971	930	1246	1496	1889	2430	2910	3920	4950
Height without insulation [mm] <sup>2</sup>	1760	1910	1950	2120	2200	2190	2280	2170	2660	2290	2800
Height with insulation [mm] <sup>2</sup>	1860	2010	2050	2220	2300	2290	2380	2270	2760	2390	2900
Diameter without insulation [mm] <sup>2</sup>	650	750	850	790	900	1000	1100	1300	1250	1600	1600
Diameter with insulation [mm] <sup>2</sup>	850	950	1050	990	1100	1200	1300	1500	1470	1820	1820
Width A with insulation [mm] <sup>2</sup>	1020	1105	1180	1140	1235	1320	1400	1600	1530	1830	1830
Width B with insulation [mm] <sup>2</sup>	1175	1280	1380	1320	1440	1540	1640	1840	1790	2130	2130
Tilt height [mm] <sup>2</sup>	1820	1875	2020	2185	2270	2280	2380	2350	2780	2520	3020
Weight [kg]	130	155	178	182	217	254	291	444	365	420	690

1) For problem free maintenance of the corrugated stainless steel pipe (e.g. decalcification), when installing the tank, TiSUN recommends installation of flush connections with isolation valves at the hot water connections of the tank. Also, to protect the corrugated stainless steel pipe from excessive calcification, we recommend measures to stabilise or soften the water at tank temperatures of over 60 °C and water hardness of over 2.5 millimoles calcium carbonate per litre (= 14 °dH) (compare DIN 1988-200).

2) All size specifications have a tolerance range of +/- 3%