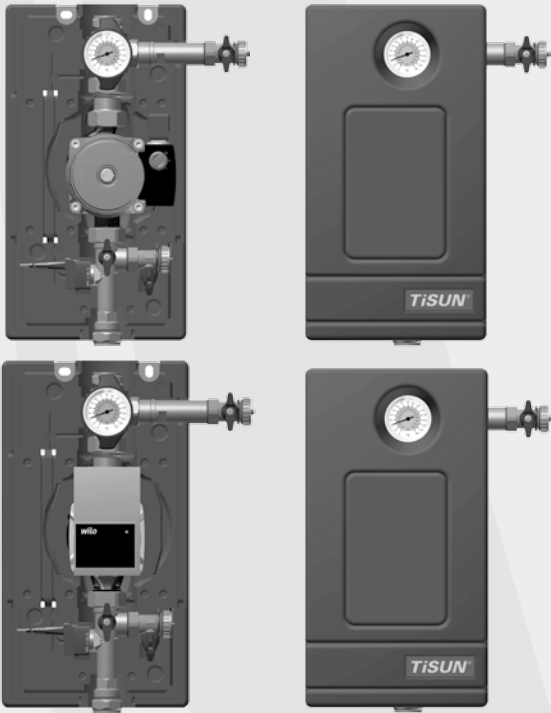


SOLAR STATIONS

SOLAR STATION EXPANSION MODULE SES 25 / SESH 25



**Solar station expansion module SES 25
with standard solar pump and flow sensor**

**Solar station expansion module SESH 25
with high efficiency solar pump and flow sensor**

Single-line expansion module for solar station without forward flow line and without safety group for east-west systems or 2-tank systems, consisting of Wilo solar pump, measuring section with integrated flow and temperature sensor (for energy balancing), multi-functional isolation valve with thermometer and integrated metal gravity brake (to be opened by 45° position of thermometer control), filling and flushing connections with cylinder feed and drain cock, wall mount, solar connections with compression fitting connections, EPP heat insulation jacket.

Specifications

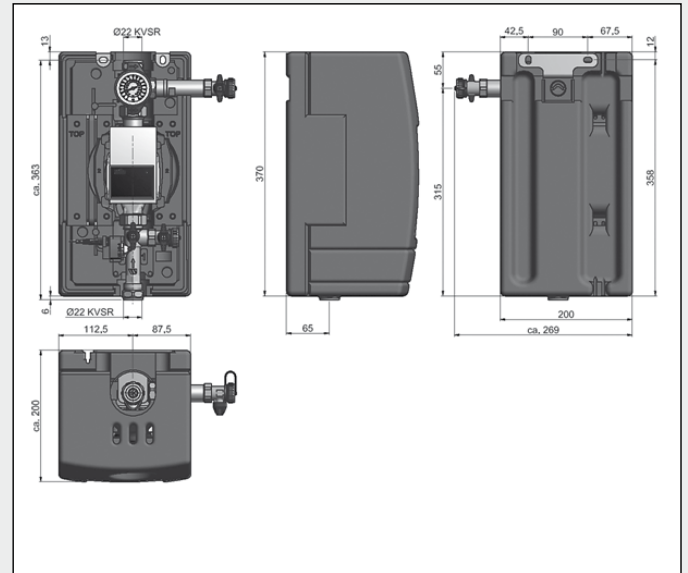
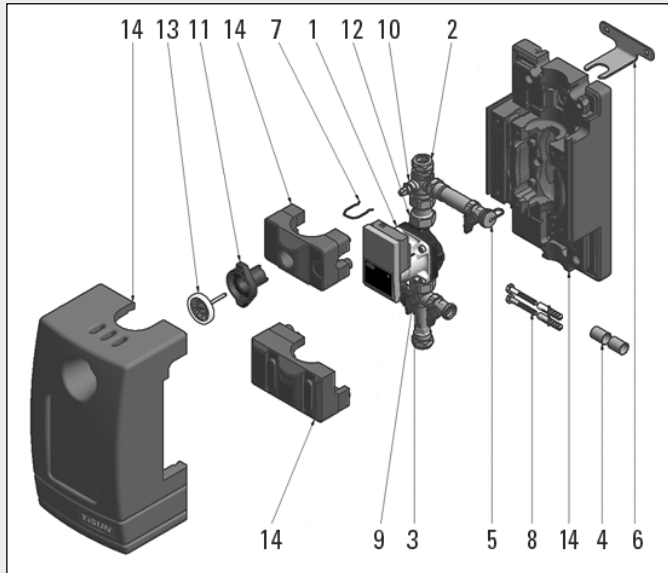
Drawing Pos. no.	Component	Type	Description/dimension
	1510678	SES 25	Solar station expansion module SES 25 with standard solar pump and flow sensor
	1510679	SESH 25	Solar station expansion module SESH 25 with high efficiency solar pump and flow sensor
1	Solar pump	Wilo Star STG 15/6 Wilo Yonos Para ST 15/7.0 PWM2	Contained in SES 25, installation length 130 mm Contained in SESH 25, installation length 130 mm
	Voltage supply pump		Pump cable with Molex connection PR61B
	Pulse-duration modulation signal pump		Signal cable with Molex connection PR71B (only in high efficiency model)
2	Connection at collector side	Compression fitting connection	Clamping ring threaded connection DN 20 (for Cu 22)
3	Connection at tank side	Compression fitting connection	Clamping ring threaded connection DN 20 (for Cu 22)
4	Support sleeve set		2 pcs. for copper pipe 22 x 1.0 mm
5	Fill and flush connections		G3/4" with screw cap and solar cylinder feed and drain cock 1/2"
6	Bracket for wall installation		2x slot holes with 90 mm centres for screw Ø 6x50
10	Retaining clip		Spring steel 2 mm (to install return flow line to the bracket)
7	Installation material	Wall installation	2 plastic anchors Ø 8x40 2 chipboard screws Ø 6x50
8	Flow and temperature sensor with measuring section	VFS 1-12 Measuring section material Seal material Nominal size VFS 1-12 Measurement range VFS 1-12 flow Temp. measurement range Output pressure Max. pressure Min./Max. Temp.Voltage supply Top connection Bottom connection	Brass, Grivory, PPS EPDM DN 15 1-12 l/min 0-100°C 0.5-3.5 V (proportional to l/min or °C) 10 bar (momentary 15 bar) -25°C / 120°C 5 V DC G1" flat sealing Clamping ring threaded connection DN 20 (for Cu 22)
9	VFS voltage supply		Grundfos SnapOn sensor cable

SOLAR STATION EXPANSION MODULE SES 25 / SESH 25

Specifications

10	Multi-functional return flow valve group	Connections	With ball valve, gravity brake and thermo control as well as additional outflow at right for safety group Clamping ring threaded connection DN 20 (for Cu 22) 1" flat sealing threaded connection 3/4" male flat sealing
11	Thermometer control	Control element	Thermo control, blue L=52 mm to operate the multifunctional valve group Integrated in multi-functional return flow valve group
12	Gravity brake	Material Seal Release pressure Adjustable Max. temperature	brass O-ring 70 EPDM 291 200 mm WC (by means of metal spring) by 45° position of the thermo control 180°C
13	Dial thermometer	Scale Diameter Length Colour	Integrated in thermometer control 0 -160°C in 2°C and 40-320°F divisions 50 mm 52 mm Silver RAL 9006
	Pump flat seal	Size Material Continuous temperature Max. temp. (momentary)	30x22x2 - 1" AFM 34 light grey liquid 250°C, vapour 200°C 400°C
14	Insulation jacket	Material Thermal conductivity Max. temperature max. Temp. (momentary) Single parts	EPP 0.041 W/mK 120°C 150°C 1x lower shell, 1x upper shell, 2x covers for components

Dimensions:



SOLAR STATIONS

SOLAR STATION EXPANSION MODULE SES 25 / SESH 25

Pressure loss:

