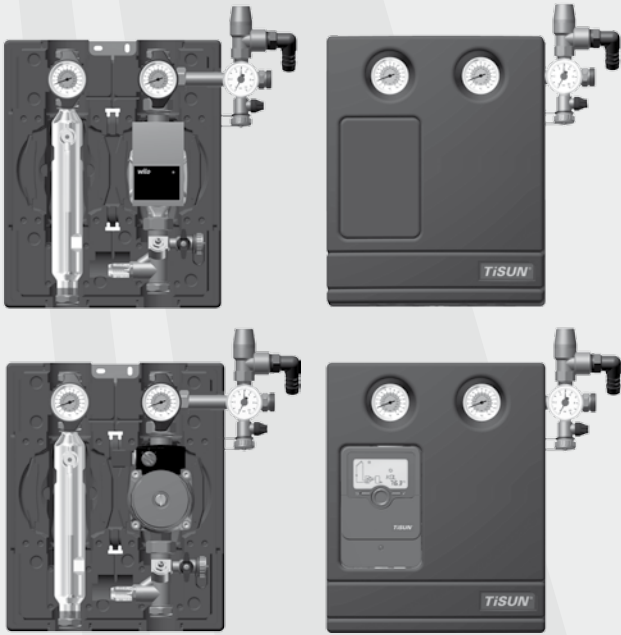


SOLAR STATIONS

SOLAR STATIONS SF 25 / SFR 25 / SFH 25 / SFH 50



Dual-line solar station SF 25 with standard solar pump and flow meter

Dual-line solar station SFR 25 with standard solar pump, flow meter and Simplex solar control unit

Dual-line solar station SFH 25 with high-efficiency solar pump and flow meter

Dual-line solar station SFH 50 with high-efficiency solar pump and flow meter

Dual-line solar station comprised of Wilo solar pump, line regulating valve with integrated flow meter, 10 bar safety group with pressure gauge as well as pressure relief valve and connection for solar expansion tank, multi-functional isolation valve for forward and return flow with thermometer and integrated metal gravity brakes (adjustable by 45° setting of the thermometer control), filling and flushing connections with cylinder feed and drain cock, isolatable venting pipe installed in forward line, wall and tank mount, solar connections with compression fitting connection, EPP heat insulation jacket with space for installation of solar control unit (Simplex solar control unit pre-mounted on SFR 25).

Specifications

| Drawing Pos. no. | Component | Type | Description/dimension |
|------------------|--|--|--|
| | 1510670 | SF 25 | Dual-line solar station SF 25 with standard solar pump and flow meter |
| | 1510671 | SFR 25 | Dual-line solar station SFR 25 with standard solar pump, flow meter and Simplex solar control unit |
| | 1510672 | SFH 25 | Dual-line solar station SFH 25 with high-efficiency solar pump and flow meter |
| | 1510673 | SFH 50 | Dual-line solar station SFH 50 with high-efficiency solar pump and flow meter |
| 1 | Solar pump | Wilo Star STG 15/6 | Contained in SF 25 and SFR 25, installation length 130 mm |
| | | Wilo Yonos Para ST 15/7.0 PWM2 | Contained in SFH 25, installation length 130 mm |
| | | Wilo Yonos Para ST 15/7.5 PWM2 | Contained in SFH 50, installation length 130 mm |
| | Voltage supply pump | | Pump cable with Molex connection PR61B |
| | Pulse-duration modulation signal pump | | Signal cable with Molex connection PR71B (only in high efficiency model) |
| 2 | Connection at collector side | Compression fitting connection | Clamping ring threaded connection DN 20 (for Cu 22) |
| | Connection at tank side | Compression fitting connection | Clamping ring threaded connection DN 20 (for Cu 22) |
| 3 | Support sleeve set | | 4 pcs. for copper pipe 22 x 1.0 mm |
| | Expansion tank connection | | 3/4" male thread flat sealing |
| 4 | Fill and flush connections | | G3/4" with screw cap and solar cylinder feed and drain cock 1/2" |
| 5 | Bracket for wall and tank installation | Wall installation tank installation | 2x slot holes with 40 mm centres for screw Ø 6x50 2x slot holes with 150 mm centres for screw M6x12 (for tanks FS-1R, PS-1R, BE-SSP-2R) |
| 6 | Retaining clip | | Spring steel 2 mm (to install forward flow and return flow line to the bracket) |
| 7 | Installation material | Wall installation | 2 plastic anchors Ø 8x40 2 chipboard screws Ø 6x50 |
| | | Tank installation | 2 clamping screws M6x12 ISO 7380 2 washers M6 |

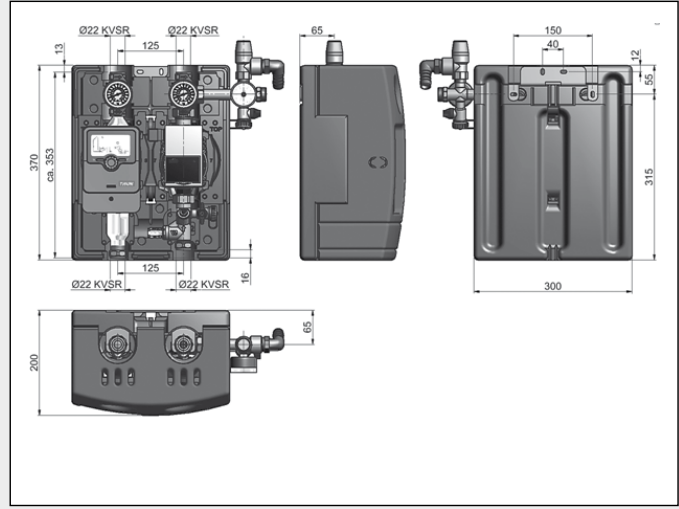
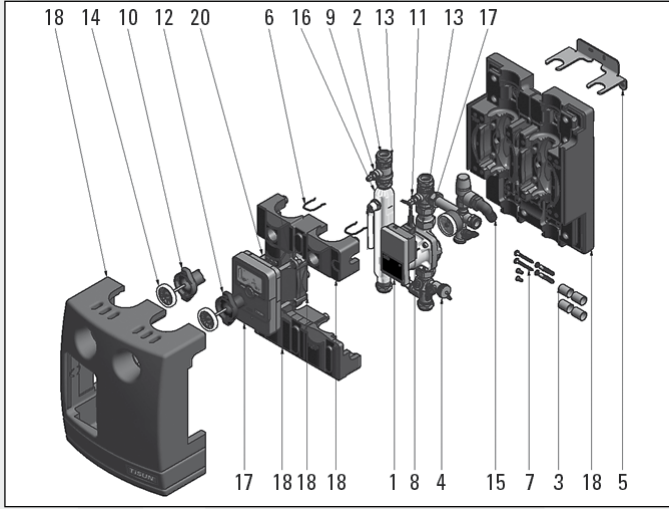
Specifications

| | | | |
|----|--|--|---|
| 8 | Flow meter | 1" FL M28 x 1.5 (male) complete Housing material Inspection glass material Seal material Spring material Nominal size Measurement range Operating temperature Max. temperature | Measuring unit for reading the given volumetric flow Brass temperature and impact resistant plastic EPDM Stainless steel 1.4301 DN 15 or DN 20 2 - 16 or 4 - 36 litres / min 100°C (10 bar) 120°C" |
| 9 | Multi-functional forward line valve group | Connections | With ball valve, gravity brake and thermo control Clamping ring threaded connection DN 20 (for Cu 22)" |
| 10 | Thermometer control | Control element | Thermo control, red L=52 mm to operate the multifunctional valve group |
| 11 | Multi-functional return flow valve group | Connections | With ball valve, gravity brake and thermo control as well as additional outflow at right for safety group Clamping ring threaded connection DN 20 (for Cu 22) 1" flat sealing threaded connection 3/4" male flat sealing |
| 12 | Thermometer control | Control element | Thermo control, blue L=52 mm to operate the multifunctional valve group |
| 13 | Gravity brake | Material Seal Release pressure Adjustable Max. temperature | Integrated in multi-functional return flow valve group brass O-ring 70 EPDM 291 200 mm WC (by means of metal spring) by 45° position of the thermo control 180°C |
| 14 | Dial thermometer | Scale Diameter Length Colour | Integrated in thermometer control 0 - 160°C in 2°C and 40 - 320°F divisions 50 mm 52 mm Silver RAL 9006 |
| 15 | Solar safety group | Pressure gauge Pressure relief valve Standard / Certificate Nominal pressure Response pressure Max. temperature Glycol concentration | 0-10 bar, diameter 52 mm (EN 837-1, class 2.5) SV/SOL100 1/2" DIN 4757-1/DIN EN 12165-99 CW617N/TÜV SV 07-2008 PN 10 10 bar 160°C max. 50% |
| 16 | Exhaust pipe | SER-RDT Series Connection Length Venting valve | Solar 8010 Clamping ring threaded connection DN 20 (for Cu 22) 233 mm 3/8" with manual isolation |
| | Pump flat seal | Size Material Continuous temperature Max. temp. (momentary) | 30x22x2 - 1" AFM 34 light grey liquid 250°C, vapour 200°C 400°C" |
| 17 | "Flat seal for safety group" | Size Material Continuous temperature Max. temp. (momentary) | 17x24x2 - 3/4" AFM 34 light grey liquid 250°C, vapour 200°C 400°C |
| 18 | Insulation jacket | Material Thermal conductivity Max. temperature max. Temp. (momentary) Single parts | EPP 0.041 W/mK 120°C 150°C 1x lower shell, 1x upper shell, 3x covers for components |
| 19 | Solar control unit | Simplex | Contained in SFR 25 |
| 20 | Bracket for solar controller | | Contained in SFR 25 |

SOLAR STATIONS

SOLAR STATIONS SF 25 / SFR 25 / SFH 25 / SFH 50

Dimensions:



Pressure loss:

