



DL2 Plus Datalogger

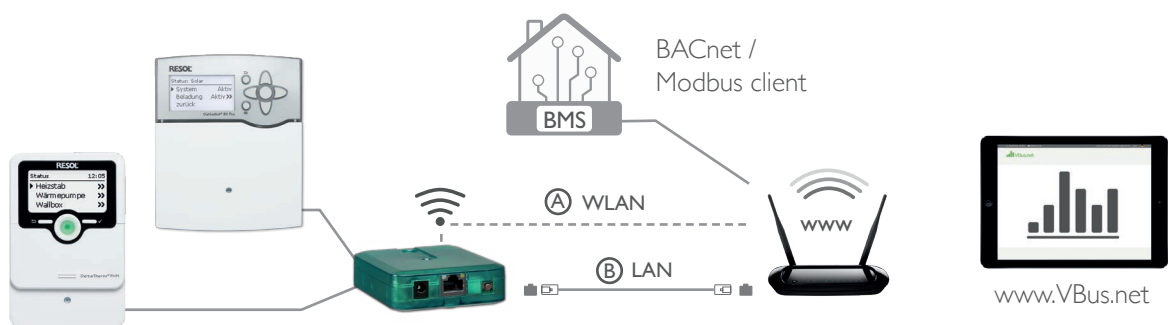
Remote access to up to 2 controllers and integrated data logging

The DL2 Plus Datalogger is the interface between 2 RESOL controllers and the Internet and additionally permits logging of system data. It offers WLAN functionality and enables the easy and secure access to the system data via www.VBus.net. For the connection of one controller to a building management system, the DL2 Plus is also equipped with a VBus® channel with BACnet or Modbus functionality.

- Internet access to the system via VBus.net
- Connection to a building management system via BACnet/IP or Modbus/TCP
- Comfortable system parameterisation via the RESOL RPT Parameterisation Tool
- 2 controllers can be connected
- Internal memory for data logging
- Automatic firmware updates via Internet
- Suitable for all RESOL controllers with VBus®
- WLAN functionality

TECHNICAL DATA

Housing: plastic
Ingress protection: IP 20 / EN 60529
Protection class: III
Ambient temperature: 0 ... 40 °C
Maximum altitude: 2000 m above MSL
Relative humidity: 10 ... 90 %
Dimensions: 95 x 70 x 25 mm
Mounting: wall mounting (optional)
Display: operating control LED
Interfaces: 2 x VBus® for the connection to RESOL controllers (1 of them can be used for BACnet/IP or Modbus/TCP), 10/100 Base TX Ethernet, Auto MDIX, WLAN 2.4~2.4835 GHz
WLAN encryption: WPA / PSK, WPA2 / PSK
Transmit power limit (e.i.r.p.): < 100 mW
Power consumption: < 1.75 W
Power supply:
 Mains adapter: 100 – 240 V~, 1A / 12 V=, 1 A (Level 6)
 Datalogger: 12 V=, 120 mA
 Electrical energy source: ES1 (EN 62368-1)
 Electrical power source: PS1 (EN 62368-1)
 Thermal energy source: TS1 (EN 62368-1)
 Mechanical energy source: MS1 (EN 62368-1)



Article no.	Article	Price bracket
180 009 70	DL2 Plus Datalogger » incl. network cable and mains adapter, VBus® cable pre-connected	B
112 091 99	Spare part / Mains adapter » incl. interchangeable mains adapter plugs	C