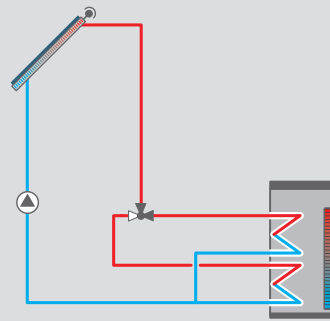




EXAMPLE



VA33 motor-driven 3-port valve

The VA33 is a motor-driven 3-port valve for use in heating, cooling and DHW systems. The indicator on the housing shows which port is open.

TECHNICAL DATA

Operating temperature: 5 ... 80°C (short-term 90°C)

Ambient temperature: 1 ... 60°C

Max. operating pressure: 10 bar (1.0 MPa)

Max. differential pressure: 1 bar (100 kPa)

Leakage: < 0.1% of Kvs at 1 bar (100 kPa)

Angle of rotation: 60°/360°

Medium: water with max. 50% glycol, max. 30% ethanol

Connection thread: IT Rp ¾", 1", 1¼"

Actuator: 230V~, 50 Hz

Actuation time: 8 s (60°)

Control: 2-point signal (on/off)

Standby:

Rest position: 0 W

End position: 5 W

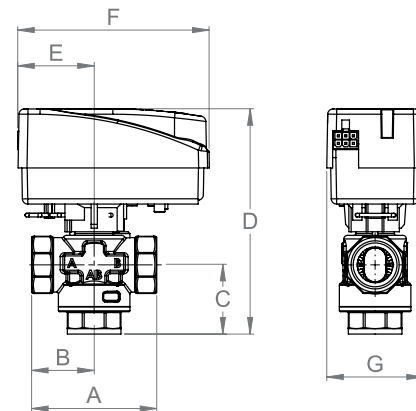
Ingress protection: IP 44

Material:

housing: brass EN 12165 CW617N

internal parts / spindle: PPS composite

Cable: 3 x 0.75 mm² (insulation: PVC)



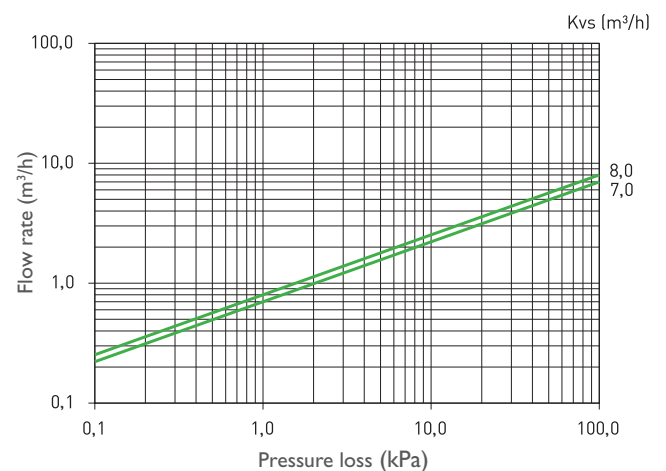
DN (Rp)	20 (¾")	25 (1")	32 (1¼")
A	70	74	84
B	35	37	40
C	104	107	114
D	126	127	132
E	43	43	43
F	107	107	107
G	54	54	54

(mm)

ACCESSORIES

Solar adapter

The adapter increases the distance between the valve body and the actuator, thus protecting the latter from overheating at high fluid temperatures.



Article no.	Article	Price bracket
270 011 10	VA33-DN 20 R ¾" – motor-driven 3-port valve	B
270 011 20	VA33-DN 25 R 1" – motor-driven 3-port valve	B
270 011 30	VA33-DN 32 R 1¼" – motor-driven 3-port valve	B
270 011 40	Actuator for VA33	B
270 011 00	Solar adapter	B