

**QUICK-
ASSEMBLY-
HOOK**

AEROCOMPACT®

COMPACT**PITCH XT-VLOW**

The XT-VLOW quick mounting hook delivers what it promises - fast and powerful mounting options with high flexibility and multiple adjustment options. For roofing with mission tiles or for applications with low roof battens such as Portuguese, the aluminum hook can fully maximize all its possibilities. The roof hook is a member of the CompactPITCH product family and is compatible with all X-mounting rails and components from the modular system. The XT-VLOW quick-assembly hook is stored and programmable in the planning and engineering software AeroTOOL.

- **SIMPLIFIED FASTENING POSSIBILITY**
- **FOR TYPICAL MEDITERRANEAN TILED ROOFS**
- **SUITABLE FOR FLAT ROOF BATTENS**
- **MOUNTABLE ON CONCRETE SUBFLOOR**
- **FLEXIBLE AND FAST INSTALLATION**
- **CAN BE PLANNED IN THE AEROTOOL SOFTWARE**



THE 3-IN-1 HOOK

The sophisticated design of the base plate and the XT-VLOW roof hook allows for tool-free assembly. The hook must only be inserted from the side into the guides of the base plate - Done. Depending on the application, the appropriate type of screw for hook anchoring is selected.

Centered base plate / mounting screw

The fastening of the base plate is fixed by wood screws. Fine adjustment of the hook is made by moving it horizontally along one of the two guide planes. The final fastening is done with a single wood screw. This pulls the hook towards the base plate and prevents it from moving laterally. This function can be used at both guide levels.

Decentralized base plate / positioning screw

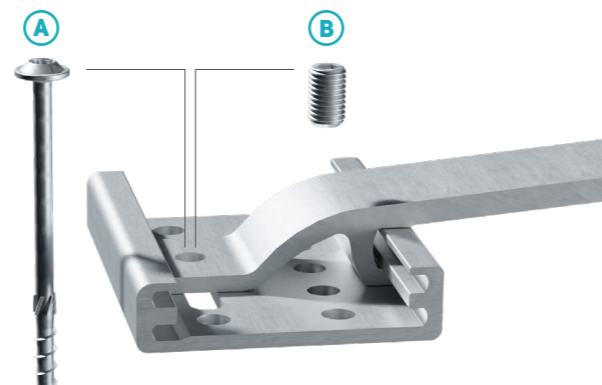
If decentralized mounting of the base plate is necessary, this can be done quickly and easily. Wood screws are used to attach the cantilever base plate to the substructure. The decentralized fastening of the roof hook is done with a threaded pin with an internal hexagon included in the delivery. This is fixed in the base plate by tightening. Shifting in a lateral direction is thus no longer possible.

Selection of fastening screws

Fastening screws and positioning screws are available as accessories for the XT-VLOW quick-assembly hook. All three positioning options are possible with these screws.

A Fastening screw for simultaneous positioning and mounting of the roof hook.

B Positioning screw for positioning the roof hook for decentralized base plate and for concrete anchoring.



Base plate fixing in concrete

The base plate can be anchored in concrete without any problems using the appropriate concrete anchoring technology.

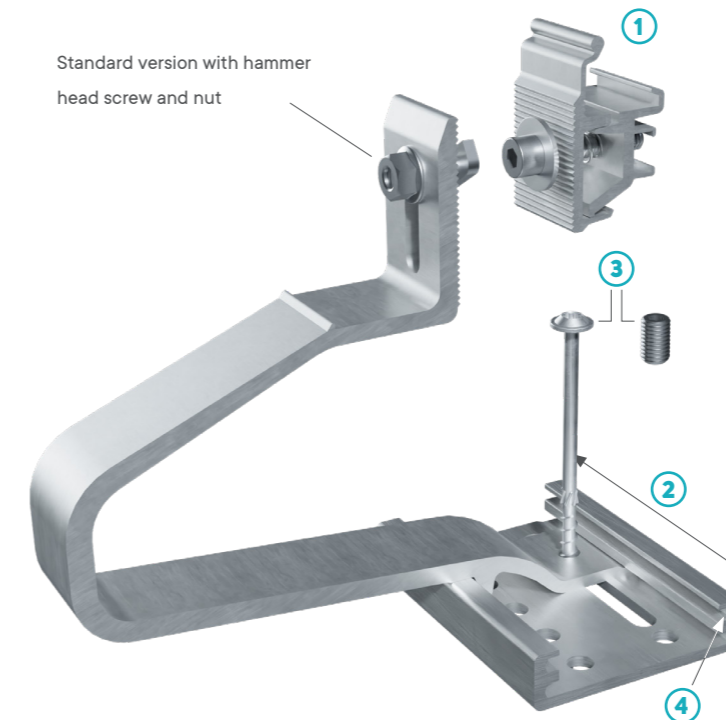
The positioning screw is used to easily control the lateral positioning. Height adjustability is also unrestricted on concrete surfaces.

THE QUICK MOUNTING HOOK

1 The CL quick release adapter

When it has to go even faster! In this case, the XT35-VLOW roof hook with pre-mounted quick-release CL adapter is available as an alternative. It is able to accommodate all X-mounting rails quickly and conveniently using the innovative click mechanism.

Standard version with hammer head screw and nut



Extra flat base plate

The base plate of the roof hook has a height of 20 mm. This flat design allows the roof hook to be used with particularly flat battens. These properties make the XT35-VLOW particularly suitable for roof coverings such as mission or Portuguese.

2 Positioning

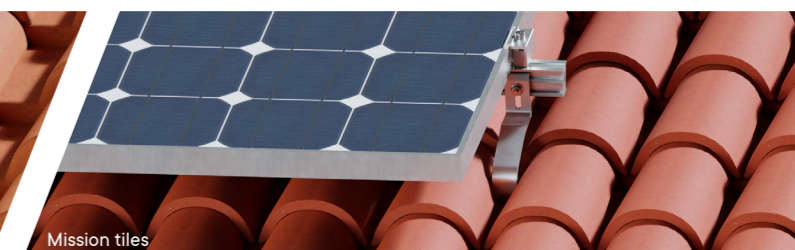
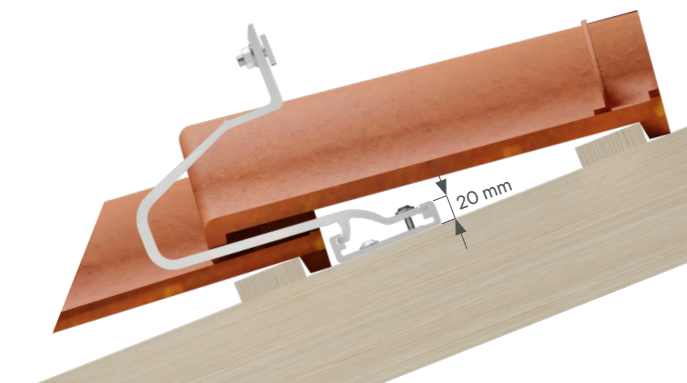
With the help of the integrated guides in the base plate, lateral adjustment is made easy. For height adjustment, one of the two guides can be used for height adjustment.

3 Attachment

For final fixing, a single screw is sufficient to utilize the full static capacity of the hook.

4 Height adjustment

Unlike standard roof hooks for PV systems on pitched roofs, the XT35-VLOW has two vertical positions instead of the usual plates with serrations and screws. This design saves installers on the roof a lot of time adjusting the hooks in relation to each other.



Cross connection

Using the optionally available X40-X50 mounting rail, it is possible to install modules in landscape mode. The additional module rails are attached directly to the base rails with the XPN cross connector. This variant is also possible for the roof hook with quick-release fastener and can be planned in AeroTOOL.



AEROCOMPACT®

- QUICK-RELEASE ADAPTER AVAILABLE
- HIGHLY AESTHETIC DUE TO LOW-RISE DESIGN
- CE-CERTIFIED STATICS AND SECURITY
- INTEGRATED IN THE MODULAR SYSTEM
- 25-YEAR PRODUCT GUARANTEE
- ENGINEERED IN AUSTRIA

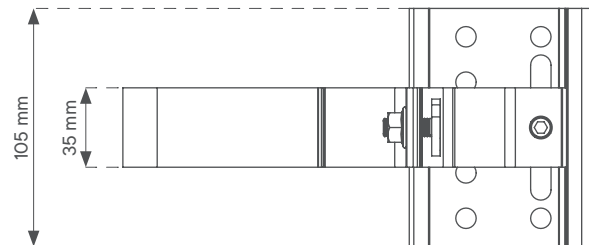
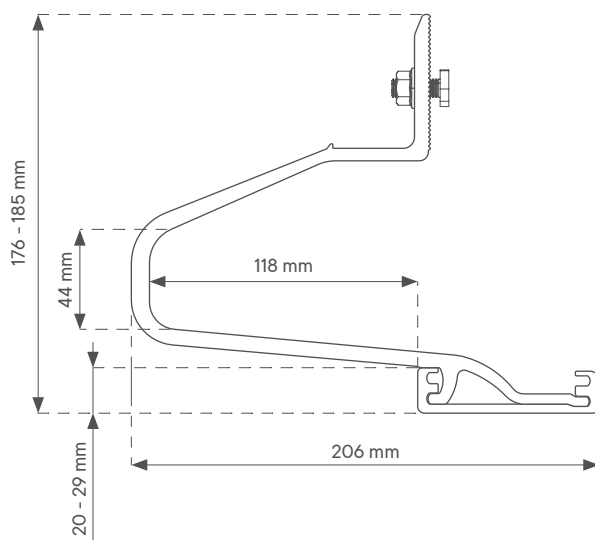
Description	Mounting of PV modules on roofs with typical southern European roofing such as Portuguese or mission tiles, or also with particularly low roof battens; aluminum roof hooks consisting of base plate, 2-fold adjustable bracket, as well as height-adjustable profilan binding.
Area of application	Fixing to different substrates such as concrete or wood possible, adaptation to different roofing variants in the target areas
Ease of assembly	Simple and quick mounting, positioning and fixing of the bracket with only one screw Module
Module dimensions	Framed modules in all common sizes, frame height 30-46 mm (other heights on request), portrait or landscape mode; Clamps for frameless modules on request
Row spacing	no elevation, no row spacing
On-site requirements	Sufficient static load-bearing capacity of the roof structure and the building supporting structure must be ensured. The general terms and conditions of sale and warranty as well as the user agreement apply.



Click clamp

The PV modules can be attached to the long rails using the click clamp with integrated grounding pins.

The system-wide universal clamp is height-adjustable between 30 u 46 mm and can be conveniently clicked into.



AEROCOMPACT® GmbH | Gewerbestraße 14 | 6822 Satteins, Austria

T: +43 5524 22566 | E: office@aerocompact.com

www.aerocompact.com