

AEROCOMPACT®



CHECKLIST COMPACT **PITCH XM-F**

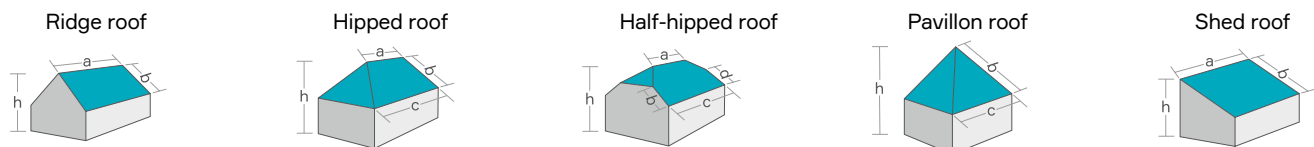
DATE _____

PROJECT NAME _____ **CUSTOMER** _____

Project address _____
No., Street: _____
ZIP: _____ City: _____
Country: _____
geographical latitude: _____
geographical longitude: _____

Customer Number: _____
Contact person: _____
No., Street: _____
ZIP: _____ City: _____
Phone: _____
E-mail: _____

ROOF SHAPE AND DIMENSIONS



Other
→ Please provide drawing with all relevant dimensions.

GENERAL ROOF DATA

Ridge height h: _____ mm a: _____ mm c: _____ mm
Roof inclination: _____ ° b: _____ mm d: _____ mm

AEROCOMPACT®

MODULE LAYOUT

→ Please indicate interference areas separately! (drawing, coordinates, roof plan)

Full layout Targeted power: _____ kWp Preferred array size: _____ rows × _____ modules

PV MODULE SPECIFICATIONS

Manufacturer: _____ Module type: _____ Wattage: _____ Wp
Length × width: _____ mm Frame height: _____ mm Weight: _____ kg

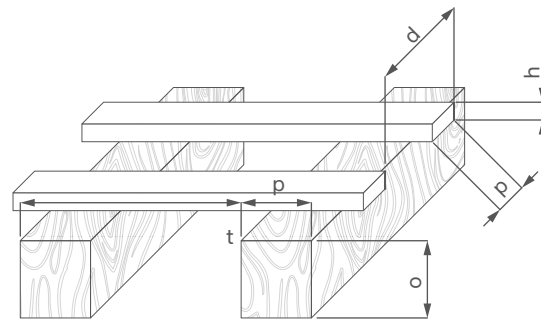
ROOFING

When covering the roof, check that the tile format is not larger than 440 × 450 mm (L×W)

Tile color: _____
Tile format (L×W×H): _____ mm

Rafter spacing t: _____ mm
Rafter height o: _____ mm
Rafter width p: _____ mm
Battening distance d: _____ mm
Batten height h: _____ mm

First rafter from verge left after _____ mm



Flathead screws

Yes (Selection according Aerotool)

No

→ Note: if no selection 8 × 120 is selected

Disclaimer: AEROCOMPACT® is not responsible for incorrect system design based on deficient information provided by the customer, e.g. via this checklist, and refuses liability for problems, delays, costs, damages to things as well as to human health and life resulting directly or indirectly from this incorrect information. In particular, the local terrain and soil conditions should be thoroughly identified on site and completely communicated to AEROCOMPACT® by the customer.