

AEROCOMPACT®



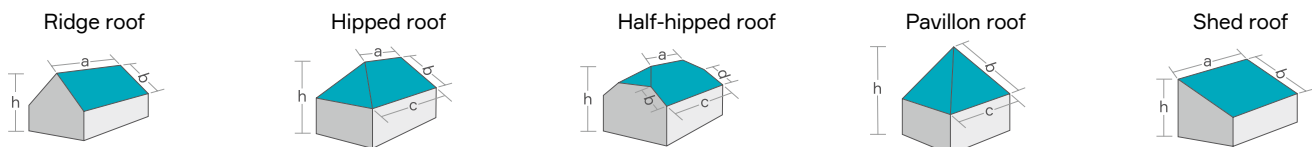
CHECKLIST COMPACT **PITCH XT/XT-R**

DATE _____

PROJECT NAME _____ **CUSTOMER** _____

Project address _____ Customer Number: _____
No., Street: _____ Contact person: _____
ZIP: _____ City: _____ No., Street: _____
Country: _____ ZIP: _____ City: _____
geographical latitude: _____ Phone: _____
geographical longitude: _____ E-mail: _____

ROOF SHAPE AND DIMENSIONS



Other

→ Please provide drawing with all relevant dimensions.

GENERAL ROOF DATA

Ridge height h: _____ mm a: _____ mm c: _____ mm
Roof inclination: _____ ° b: _____ mm d: _____ mm

AEROCOMPACT®

MODULE LAYOUT

→ Please indicate interference areas separately! (drawing, coordinates, roof plan)

Full layout

Targeted power: _____ kWp

Preferred array size: _____ rows × _____ modules

PV MODULE SPECIFICATIONS

Manufacturer: _____

Module type: _____

Wattage: _____ Wp

Length × width: _____ mm

Frame height: _____ mm

Weight: _____ kg

ROOFING

Concrete substructure

Wood rafter

Rafter spacing t: _____ mm

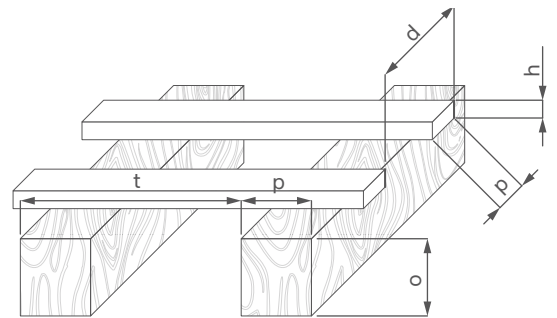
Rafter height o: _____ mm

Rafter width p: _____ mm

Battening distance d: _____ mm

Batten height h: _____ mm

First rafter from verge left after _____ mm



Flathead screws

Yes (Selection according Aerotool)

No

→ Note: if no selection 8 × 120 is selected

AEROCOMPACT®

IDENTIFYING THE FASTENER

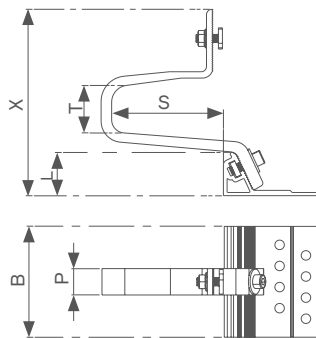
→ Note: If no specification is given, planning is carried out with a statically sufficient hook.

OPTION 1

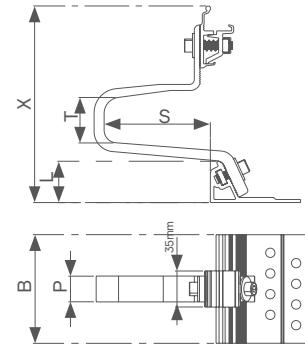
Selection XT Roof hook

	XT25	XT25CL	XT35	XT35CL	XT35-VLOW	XT35CL-VLOW	XT40-EL	XT40CL-EL	XT40-Slim	XT40CL-Slim	XT40-Slim-Low	XT40CL-Slim-Low	XTS40CL	XTSXCL	XT-R
CL*	No	Yes	No	Yes	No	Yes	No	Yes	No	Yes	No	Yes	Yes	Yes	Yes
Load cap. [kN]	1,23	1,23	1,73	1,73	1,28	1,28	2,61	2,61	1,95	1,95	1,25	1,25	3,53	3,53	2,7
X [mm]	176-189	177-212	176-189	177-212	176-185	172-205	196-209	192-227	166-179	172-207	157-166	163-194	172-207	187-220	170-209
T [mm]	45	45	45	45	44	44	61	61	45	45	45	45	41	41	50-76
L [mm]	41-54	41-51	41-54	41-53	20, 29	20, 29	41-54	41-53	41-54	41-53	32-41	32-41	41-53	41-53	40-54
S [mm]	106-112	106-112	106-112	106-112	118	118	120-126	120-126	123-129	123-129	121-126	121-126	120-126	120-126	110
B [mm]	105	105	105	105	105	105	105	105	105	105	105	105	105	105	100
P [mm]	25	25	35	35	35	35	40	40	40	40	40	40	40	40	35
Selection															

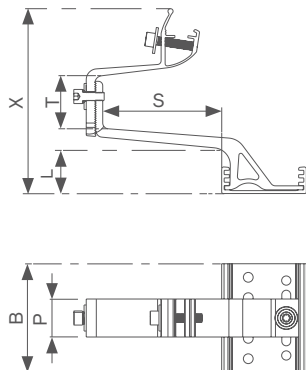
XT Roof hook



XT with * Click fast fixation



XT-R hook with integrated quick release



Disclaimer: AEROCOMPACT® is not responsible for incorrect system design based on deficient information provided by the customer, e.g. via this checklist, and refuses liability for problems, delays, costs, damages to things as well as to human health and life resulting directly or indirectly from this incorrect information. In particular, the local terrain and soil conditions should be thoroughly identified on site and completely communicated to AEROCOMPACT® by the customer.